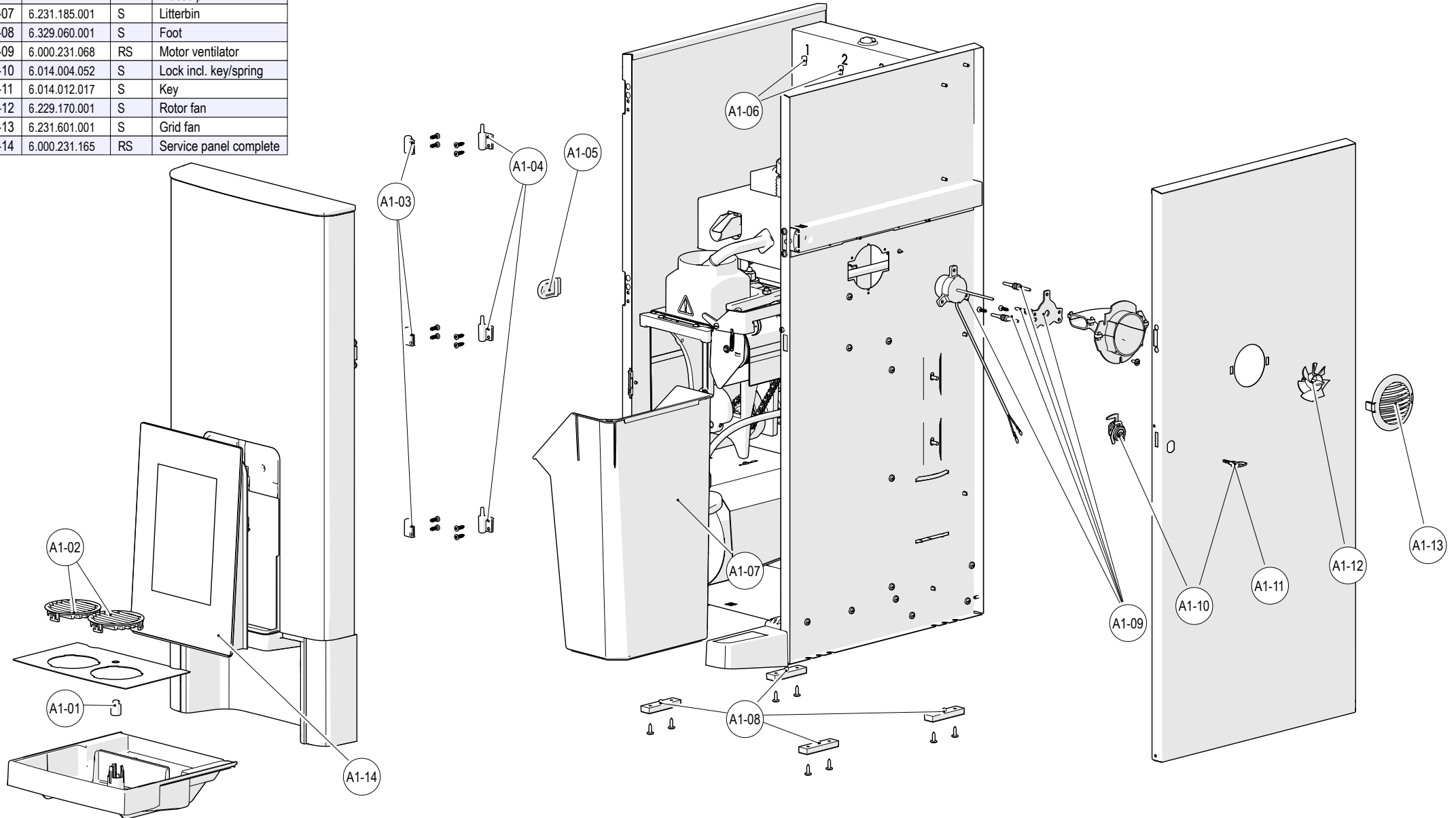


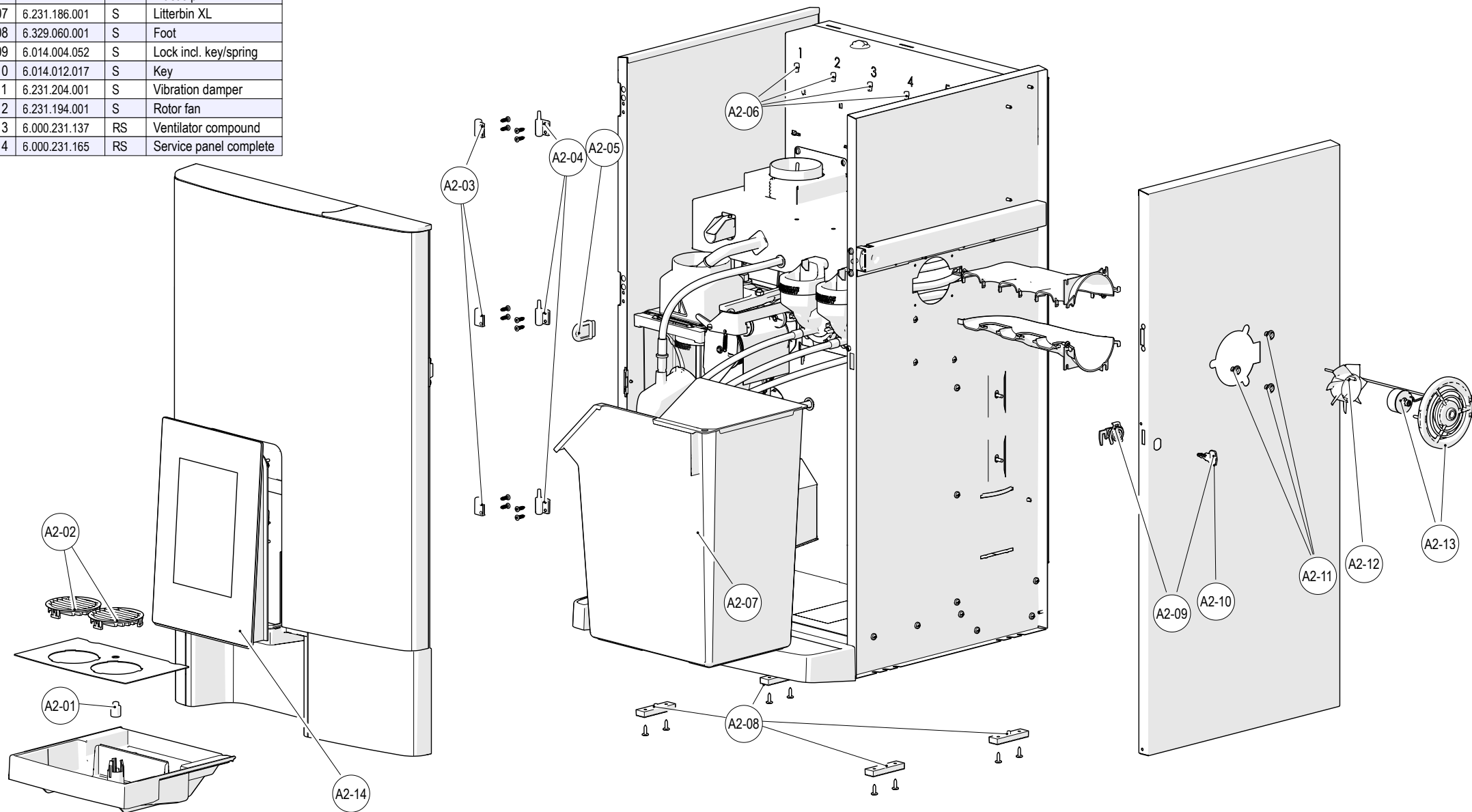
FreshMore / FreshGround

ID	Service part	S-RS	Description
A1-01	6.229.116.001	S	Float drip-tray
A1-02	6.231.600.001	S	Grid for drip-tray
A1-03	6.231.573.001	S	Hinge (upper part)
A1-04	6.231.574.001	S	Hinge (lower part)
A1-05	6.231.044.001	S	Service key
A1-06	6.229.495.001	S	Plastic pin
A1-07	6.231.185.001	S	Litterbin
A1-08	6.329.060.001	S	Foot
A1-09	6.000.231.068	RS	Motor ventilator
A1-10	6.014.004.052	S	Lock incl. key/spring
A1-11	6.014.012.017	S	Key
A1-12	6.229.170.001	S	Rotor fan
A1-13	6.231.601.001	S	Grid fan
A1-14	6.000.231.165	RS	Service panel complete

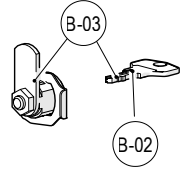
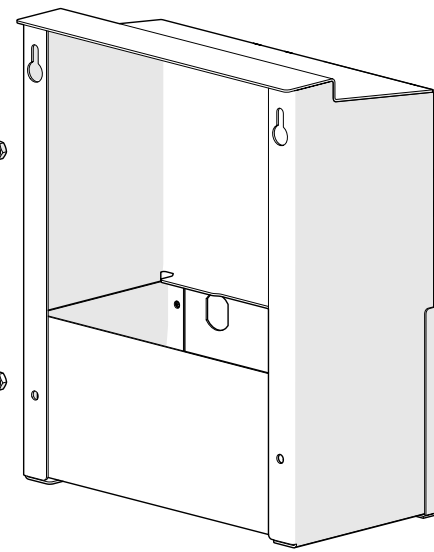
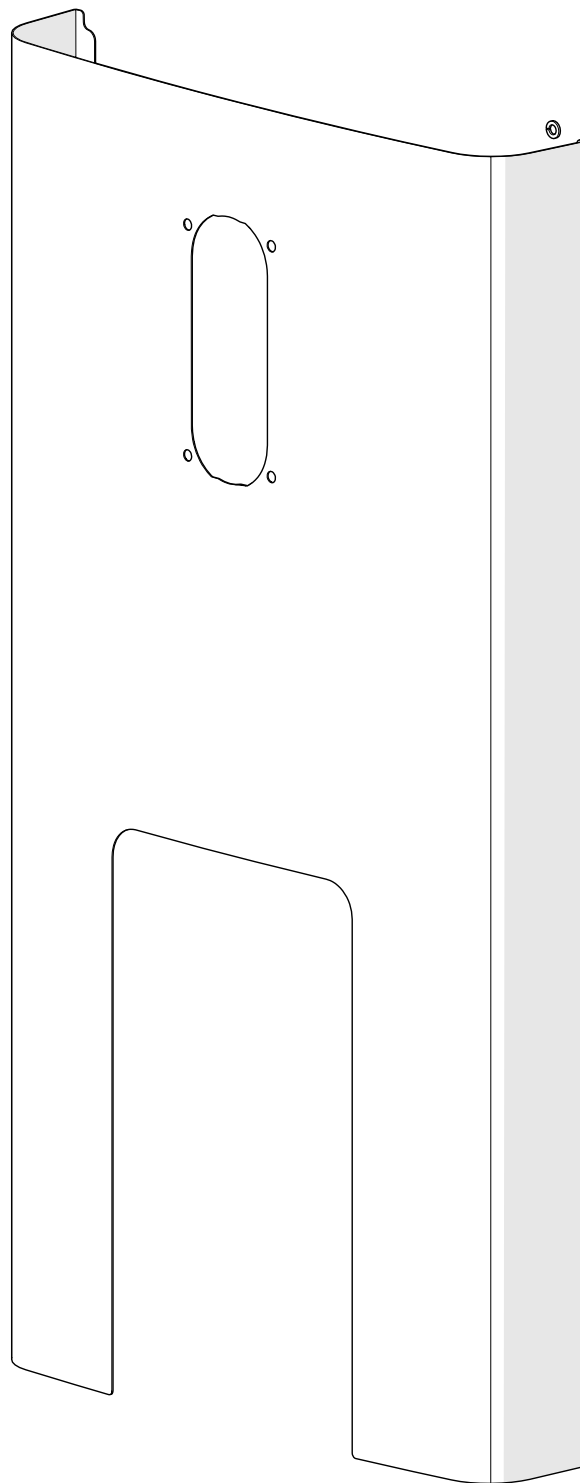
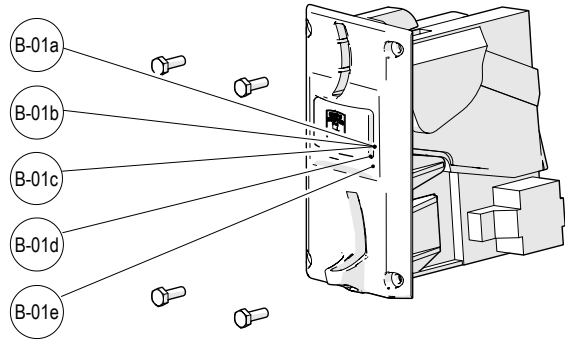


FreshMore XL / FreshGround XL

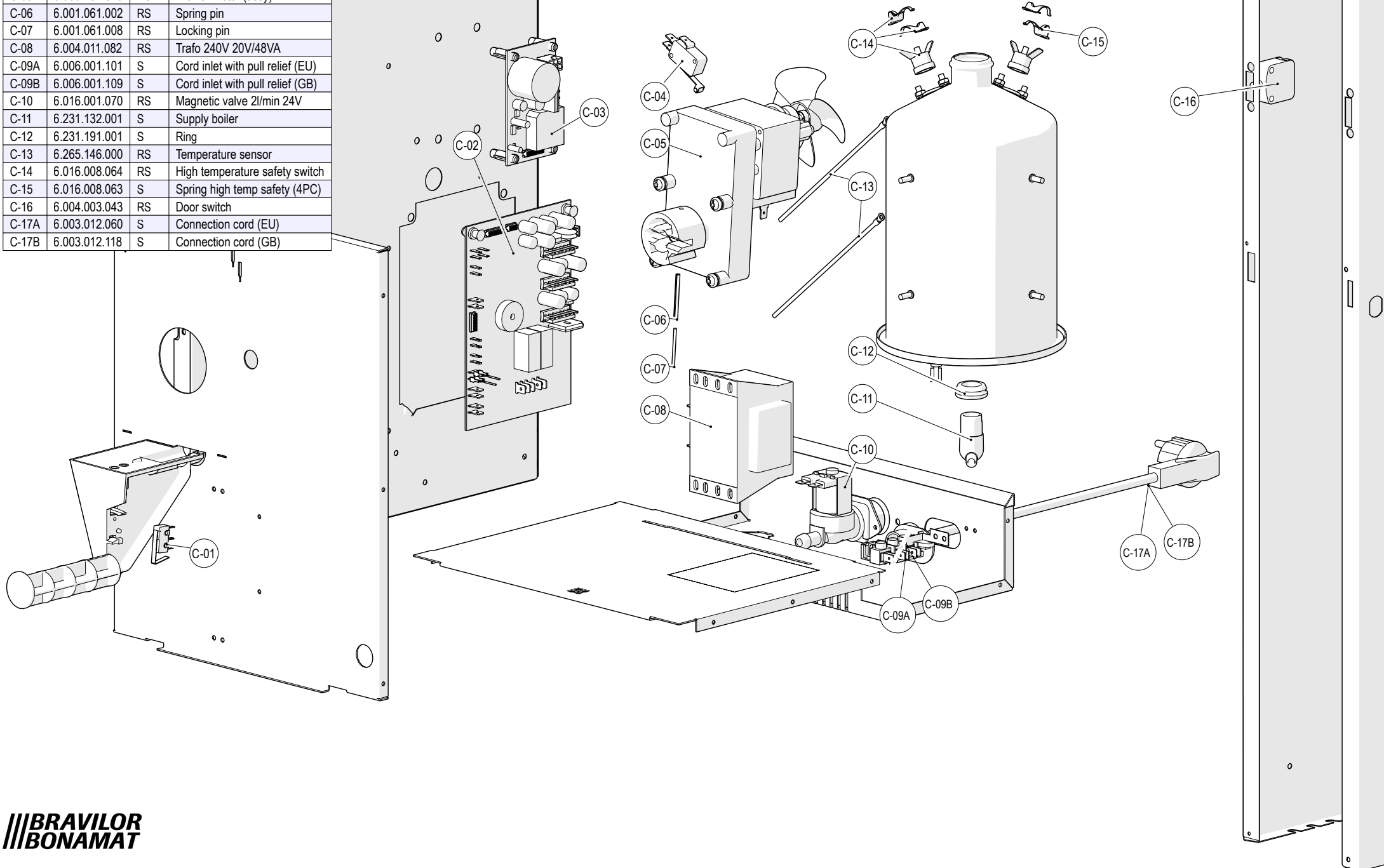
ID	Service parts	S/RS	Description
A2-01	6.229.116.001	S	Float drip-tray
A2-02	6.231.600.001	S	Grid for drip-tray
A2-03	6.231.573.001	S	Hinge pin (upper part)
A2-04	6.231.574.001	S	Hinge pin (lower part)
A2-05	6.231.044.001	S	Service key
A2-06	6.229.495.001	S	Plastic pin
A2-07	6.231.186.001	S	Litterbin XL
A2-08	6.329.060.001	S	Foot
A2-09	6.014.004.052	S	Lock incl. key/spring
A2-10	6.014.012.017	S	Key
A2-11	6.231.204.001	S	Vibration damper
A2-12	6.231.194.001	S	Rotor fan
A2-13	6.000.231.137	RS	Ventilator compound
A2-14	6.000.231.165	RS	Service panel complete



ID	Service part	S-RS	Description
B-01a	6.016.009.039	S	Coin mechanism Euro/GB
B-01b	6.016.009.040	S	Coin mechanism Euro/S
B-01c	6.016.009.041	S	Coin mechanism Euro/N
B-01d	6.016.009.042	S	Coin mechanism Euro/DK
B-01e	6.016.009.043	S	Coin mechanism AUS
B-02	6.014.012.019	S	Key
B-03	6.014.004.050	S	Lock incl. keys/spring

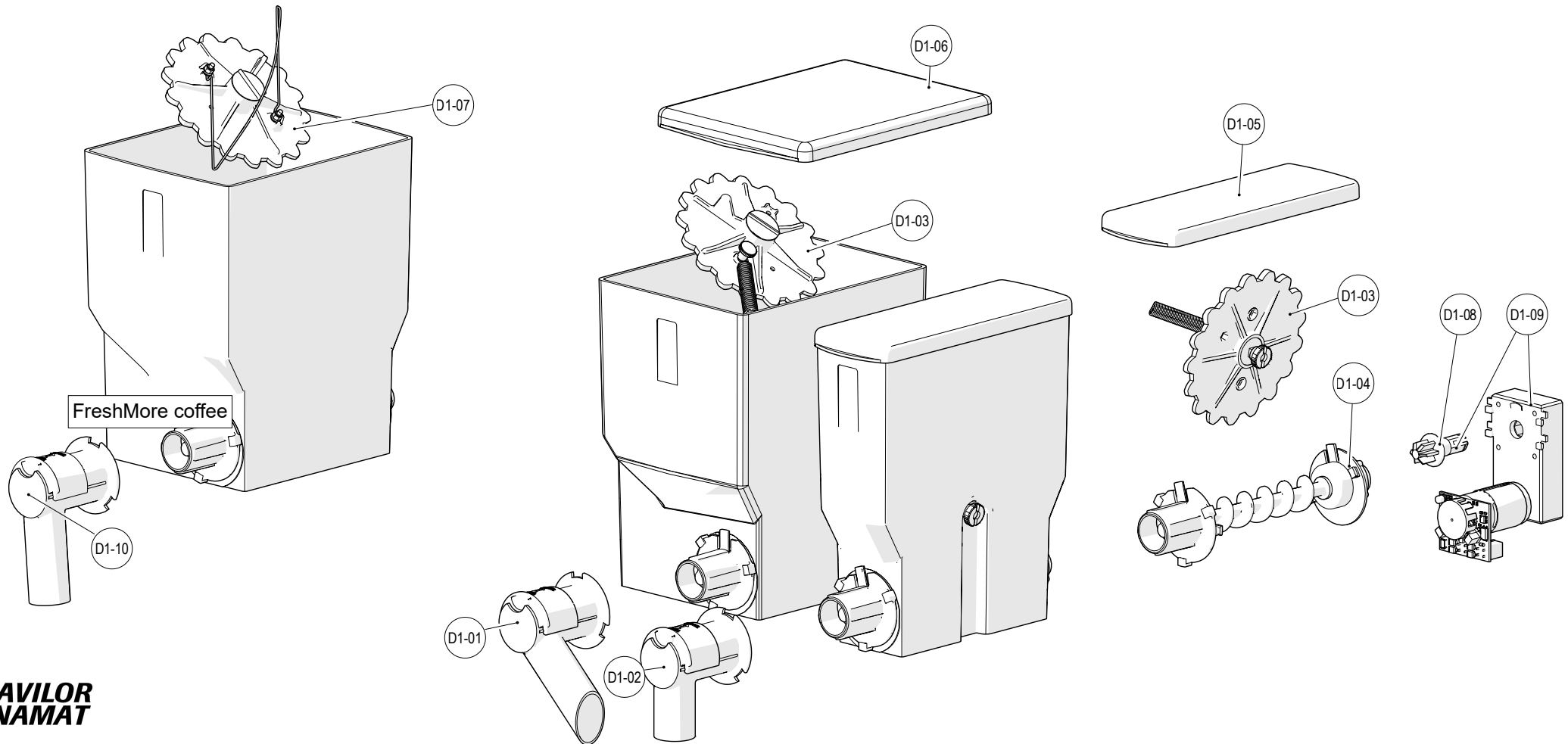


ID	Service part	S-RS	Description
C-01	6.004.003.203	S	Micro switch
C-02	6.231.724.000	RS	Mainboard
C-03	6.231.725.000	RS	MDB board (optional)
C-04	6.004.003.044	RS	Micro switch 250V/15A
C-05	6.000.231.070	RS	Brewer motor (assy)
C-06	6.001.061.002	RS	Spring pin
C-07	6.001.061.008	RS	Locking pin
C-08	6.004.011.082	RS	Trafo 240V 20V/48VA
C-09A	6.006.001.101	S	Cord inlet with pull relief (EU)
C-09B	6.006.001.109	S	Cord inlet with pull relief (GB)
C-10	6.016.001.070	RS	Magnetic valve 2l/min 24V
C-11	6.231.132.001	S	Supply boiler
C-12	6.231.191.001	S	Ring
C-13	6.265.146.000	RS	Temperature sensor
C-14	6.016.008.064	RS	High temperature safety switch
C-15	6.016.008.063	S	Spring high temp safety (4PC)
C-16	6.004.003.043	RS	Door switch
C-17A	6.003.012.060	S	Connection cord (EU)
C-17B	6.003.012.118	S	Connection cord (GB)



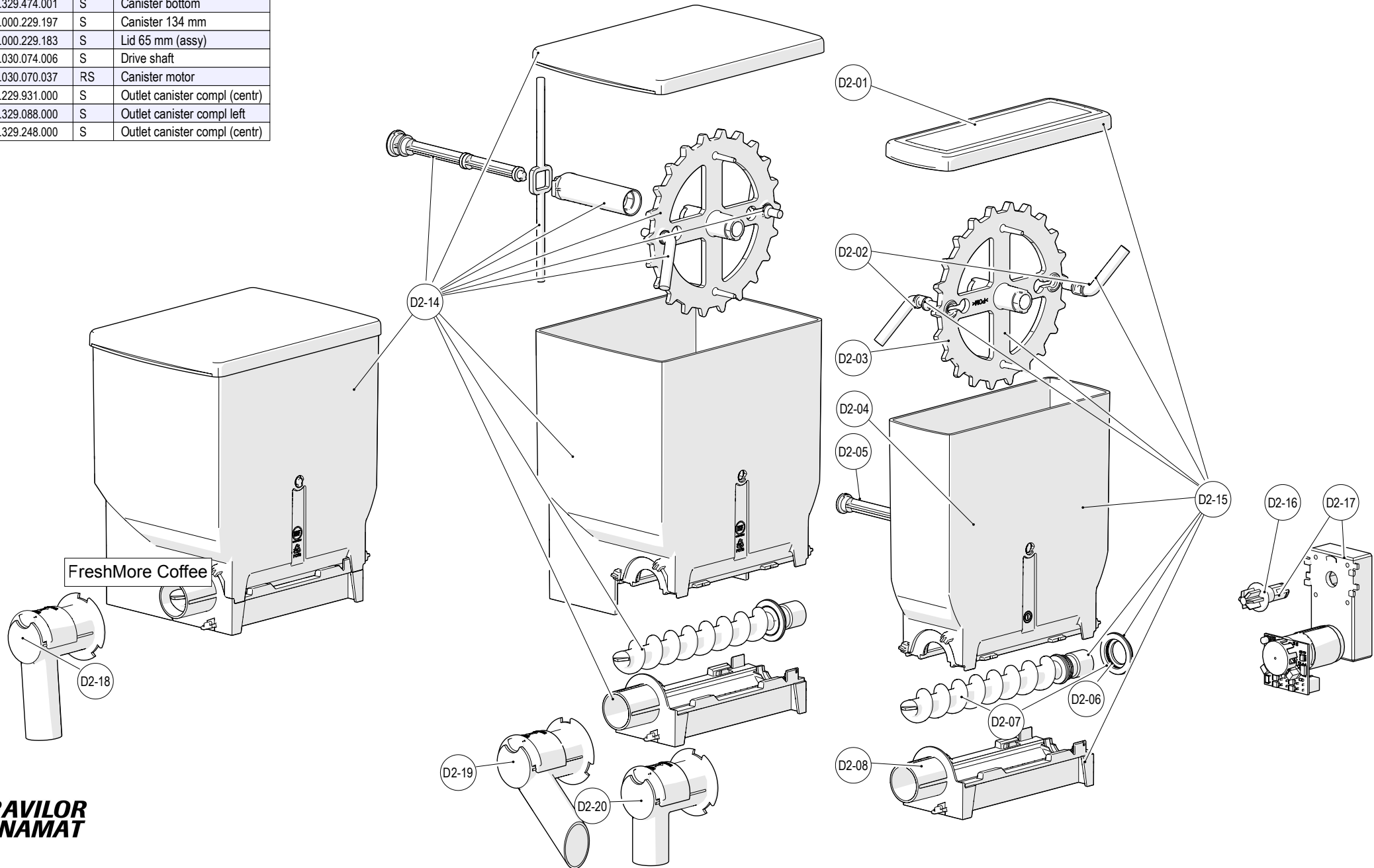
ID	Service part	S-RS	Description
D1-01	6.329.088.000	S	Outlet canister compl left
D1-02	6.329.248.000	S	Outlet canister compl (centr)
D1-03	6.000.229.122	S	Set of canister spare parts
D1-04	6.000.229.102	S	Drive shaft assy
D1-05	6.229.273.001	S	Lid 65mm
D1-06	6.229.274.001	S	Lid 134mm
D1-07	6.000.229.132	S	Drive shaft assy
D1-08	6.030.074.006	S	Drive shaft
D1-09	6.030.070.037	RS	Canister motor
D1-10	6.229.931.000	S	Outlet canister compl (centr)

**Canisters till
11-june-2019**

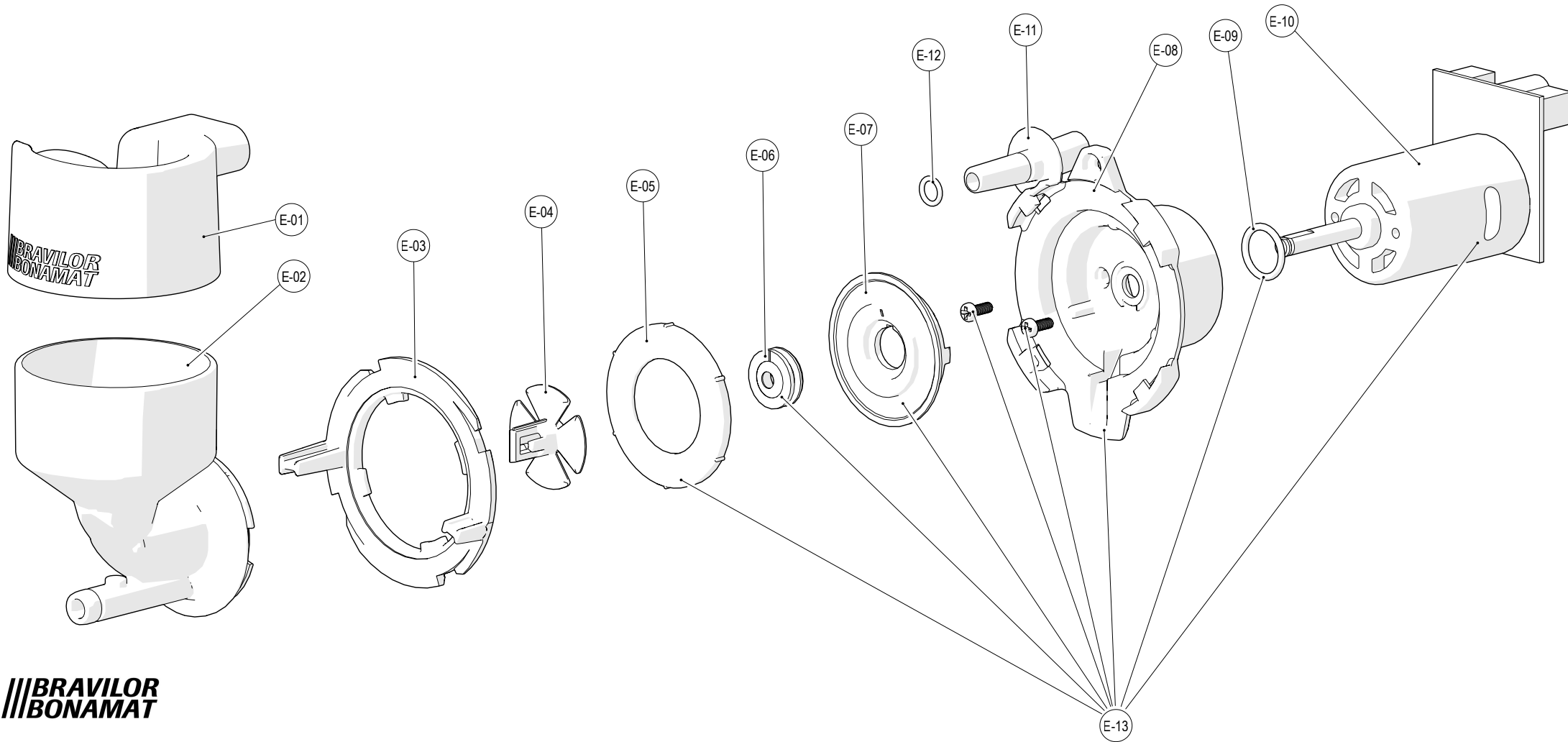


**Canisters from
11-june-2019**

ID	Service part	S-RS	Description
D2-01	6.329.480.000	S	Lid 65mm
D2-02	6.329.478.001	S	Wiper
D2-03	6.329.477.001	S	Drive shaft
D2-04	6.329.476.001	S	Canister casing
D2-05	6.329.486.001	S	Axle
D2-06	6.329.479.001	S	Seal
D2-07	6.000.229.219	S	Worm (assy)
D2-08	6.329.474.001	S	Canister bottom
D2-14	6.000.229.197	S	Canister 134 mm
D2-15	6.000.229.183	S	Lid 65 mm (assy)
D2-16	6.030.074.006	S	Drive shaft
D2-17	6.030.070.037	RS	Canister motor
D2-18	6.229.931.000	S	Outlet canister compl (centr)
D2-19	6.329.088.000	S	Outlet canister compl left
D2-20	6.329.248.000	S	Outlet canister compl (centr)

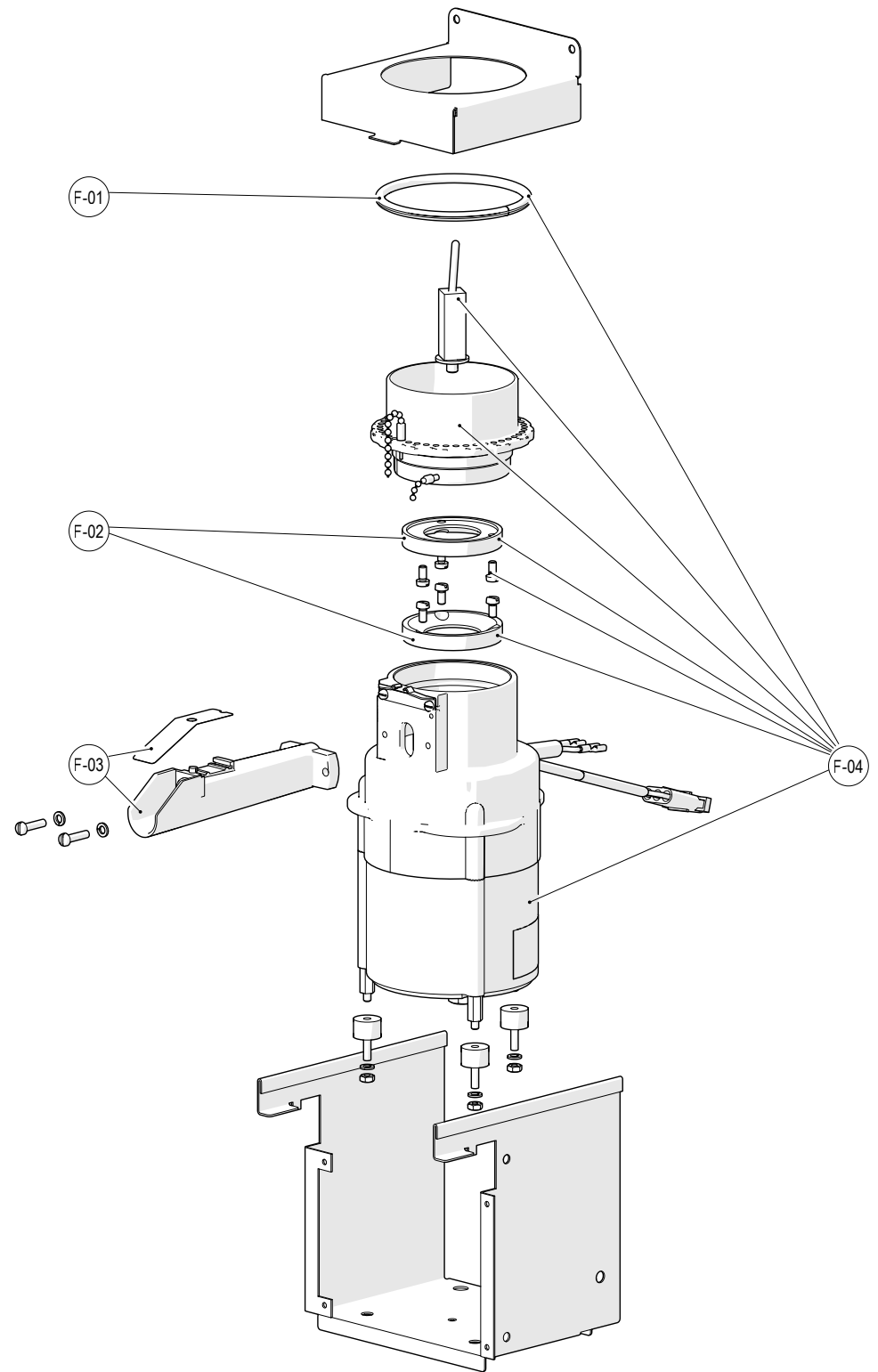
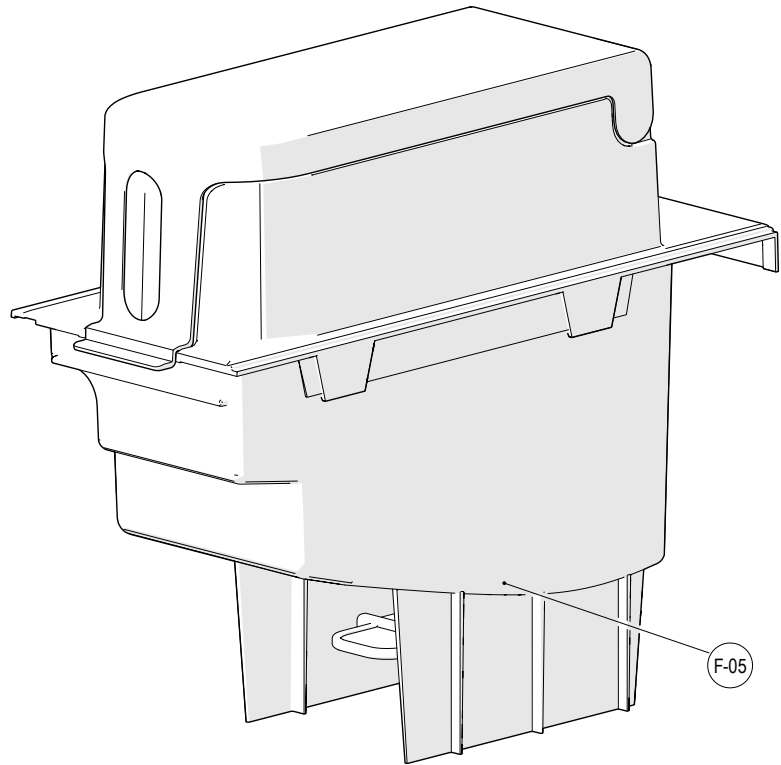


ID	Service part	S-RS	Description
E-01	6.329.499.001	S	Condense reservoir
E-02	6.229.805.001	S	Mixing chamber
E-03	6.229.809.001	S	Fastening ring
E-04	6.229.803.001	S	Whipper disk
E-05	6.229.806.001	S	Rubber seal mixer
E-06	6.030.071.020	S	Rubber seal mixer
E-07	6.229.807.001	S	Holder rubber seal
E-08	6.229.810.001	S	Plate mixer moter
E-09	6.011.001.094	S	O-ring 13x2
E-10	6.331.237.000	RS	Mixer motor
E-11	6.229.580.001	S	Water inlet 6mm
E-12	6.011.001.073	S	O-ring 6x1,5
E-13	6.000.229.207	RS	Mixer motor

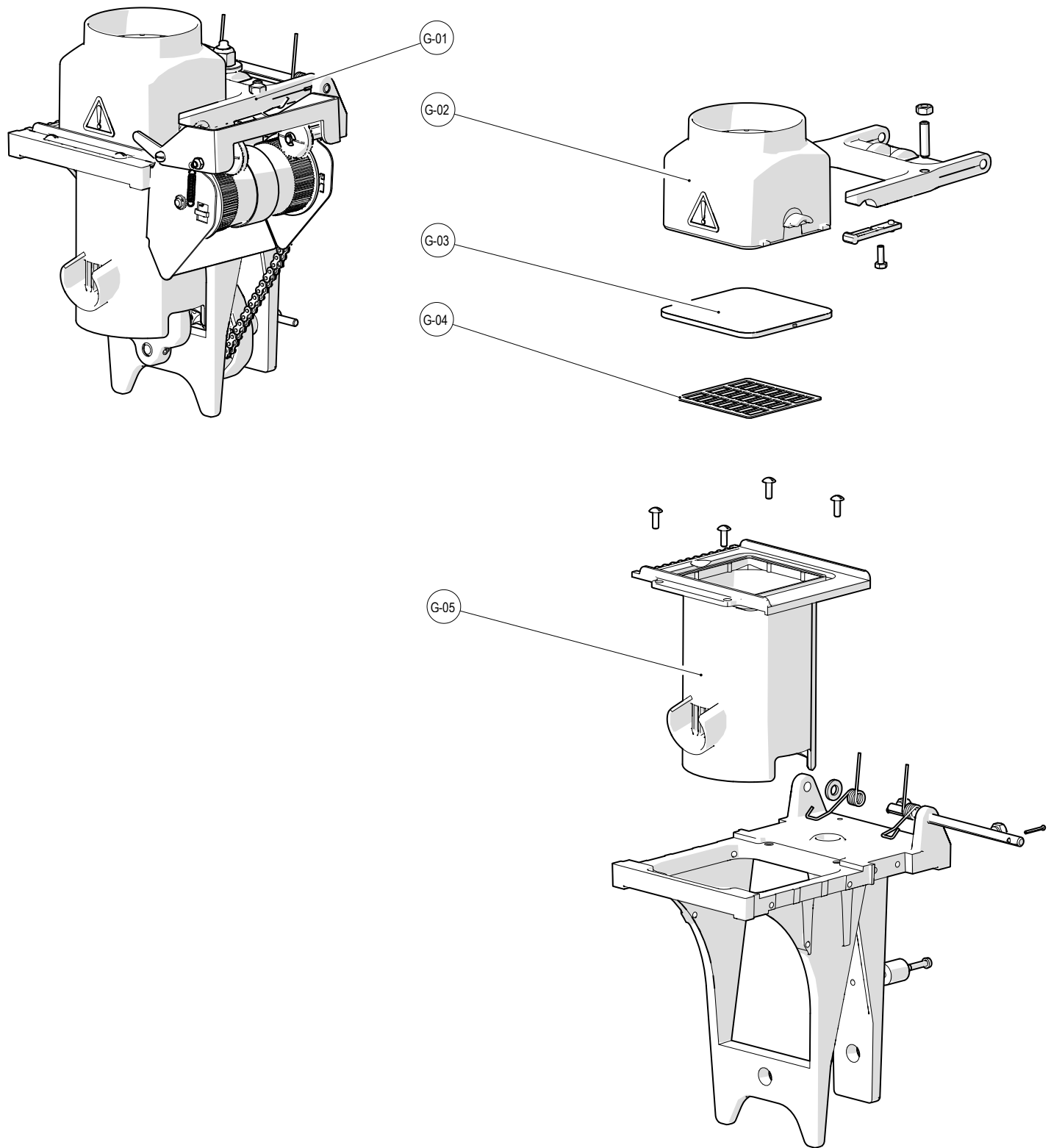


ID	Service part	S-RS	Description
F-01	6.231.393.001	S	Vibration damper
F-02	6.030.079.103	S	Set grind discs
F-03	6.231.429.000	S	Grinder outlet compound
F-04	6.030.079.002	RS	Grinder
F-05	6.000.231.087	S	Bean canister

FreshGround

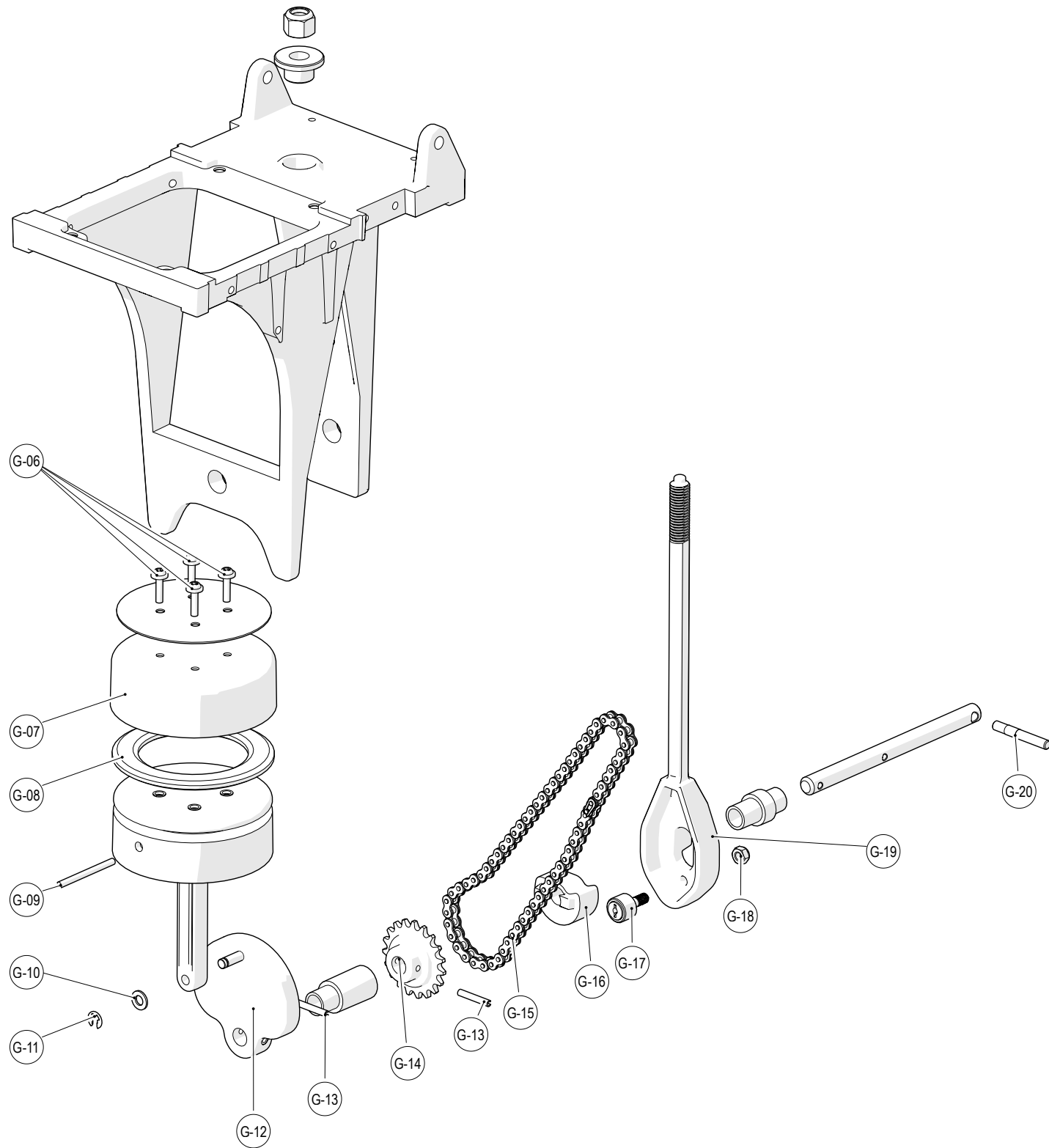


ID	Service part	S-RS	Description
G-01	6.000.231.143	RS	BB Brewer 250 ml
G-02	6.231.484.000	RS	Brew chamber
G-03	6.231.358.000	S	Filter screen
G-04	6.231.357.001	S	Coffee filter plate
G-05	See SI 220101	RS	Cylinder 250 ml

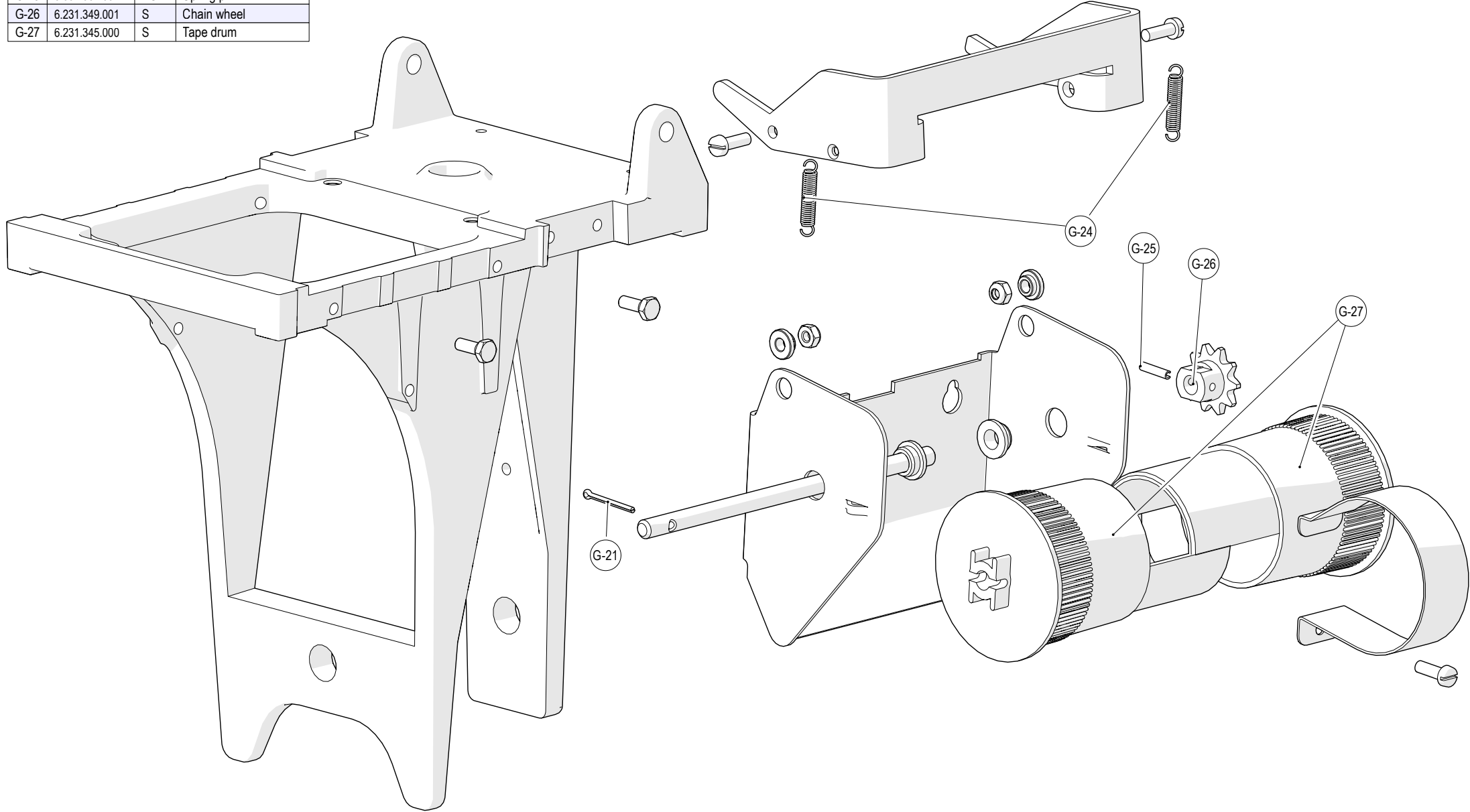


Scan QR-code for SI 220101

ID	Service part	S-RS	Description
G-06	6.001.134.002	RS	Screw
G-07	6.231.361.001	RS	Seal Ø 84
G-08	6.231.360.001	RS	Rubber ring Ø 82
G-09	6.001.061.003	RS	Spring pin
G-10	6.001.009.003	S	Washer M5 (10 pcs)
G-11	6.001.093.007	S	Guide rail e-clip (4 mm)
G-12	6.231.332.000	RS	Piston rod
G-13	6.001.061.010	RS	Spring pin D3x24
G-14	6.231.354.001	S	Chain wheel
G-15	6.231.341.000	RS	Chain
G-16	6.231.355.001	S	Drive cam
G-17	6.017.007.001	RS	Cam follower
G-18	6.001.067.002	RS	Nut
G-19	6.231.334.001	RS	Pull rod
G-20	6.231.621.001	RS	Pin piston-axle

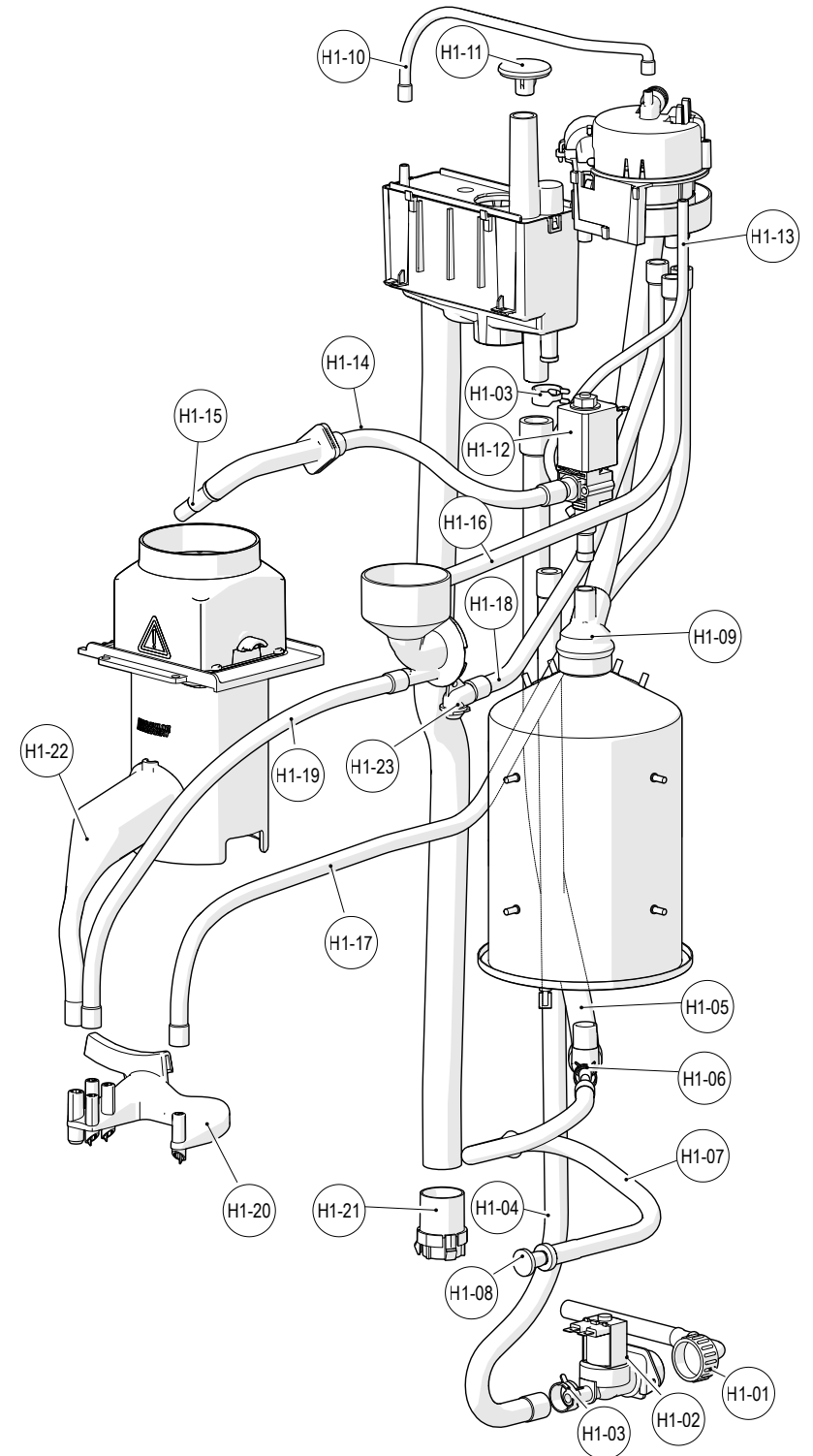


ID	Service part	S-RS	Description
G-21	6.001.060.004	RS	Split pin
G-22	6.001.093.007	S	Guide rail e-clip (4 mm)
G-23	6.231.342.000	S	Plastic wheel Brewer
G-24	6.231.353.001	RS	Spring
G-25	6.001.061.007	RS	Spring pin
G-26	6.231.349.001	S	Chain wheel
G-27	6.231.345.000	S	Tape drum



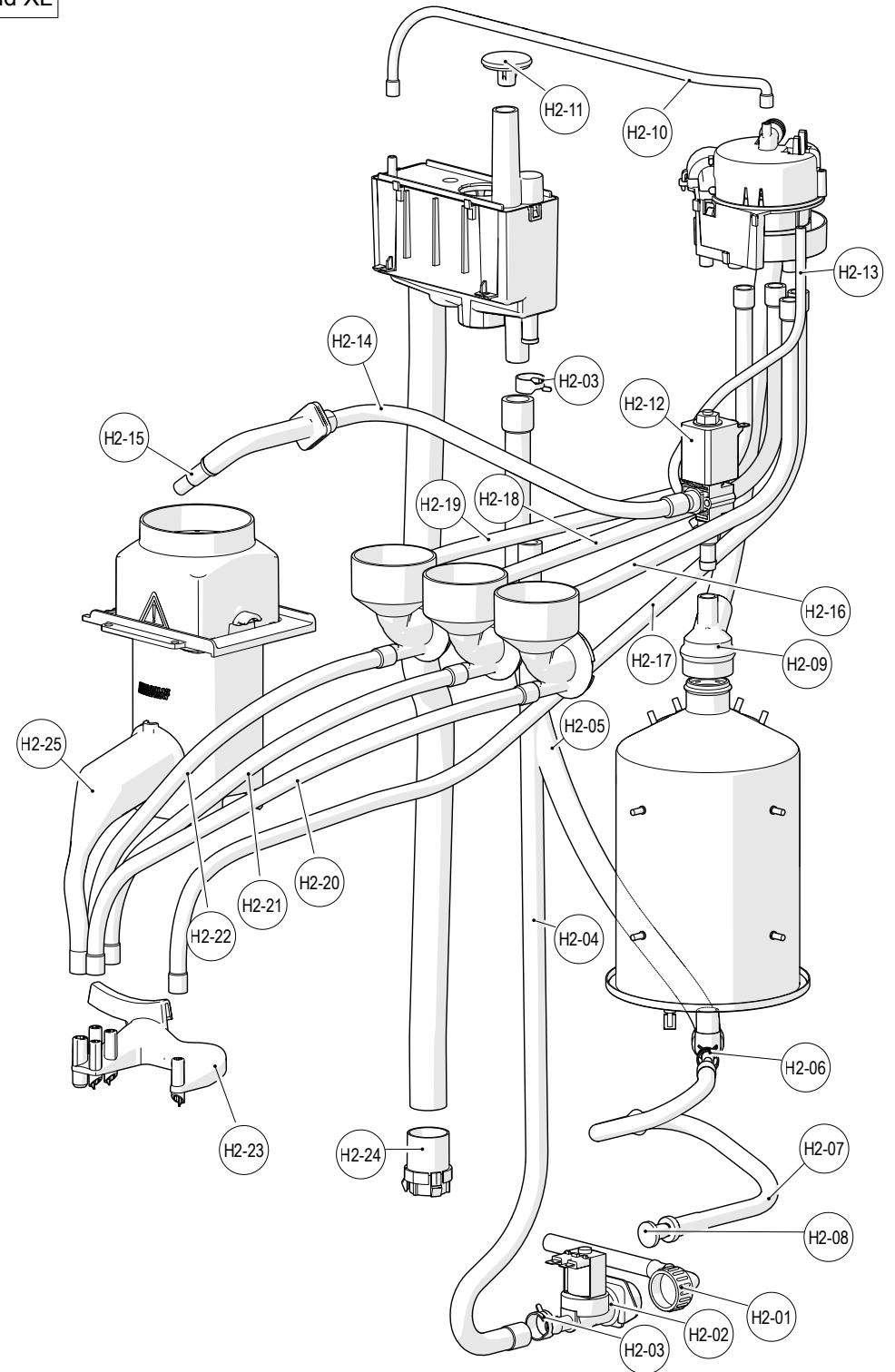
FreshMore / FreshGround

ID	Service part	S-RS	Description	mm
H1-01	6.000.205.111	S	Connection tube (Std)	
H1-02	6.016.001.070	RS	Magnetic valve 2l/min 24V	
H1-03	6.001.079.003	S	Tube clamp 15.6 mm	
H1-04	6.019.033.014	S	Silicone tube 9.5 x 3.0	630
H1-05	6.019.033.013	S	Silicone tube 17,5 x 11,5	420
H1-06	6.001.079.001	S	Tube clamp 12.1 mm	
H1-07	6.263.081.001	S	Tube boiler drain	
H1-08	6.006.002.018	S	Tightening plug 10.5 mm	
H1-09	6.231.457.000	S	Tube	
H1-10	6.019.033.009	S	Silicone tube 7 x 4	270
H1-11	6.402.010.001	S	Descaling plug	
H1-12	6.016.001.125	RS	Magnetic valve 24V DC	
H1-13	6.019.033.009	S	Silicone tube 7 x 4	260
H1-14	6.231.696.001	S	Tube	
H1-15	6.231.672.001	S	Tube section	
H1-16	6.019.033.004	S	Silicone tube 7,5 x 2	350
H1-17	6.019.033.004	S	Silicone tube 7,5 x 2	730
H1-18	6.019.033.004	S	Silicone tube 7,5 x 2	350
H1-19	6.019.033.004	S	Silicone tube 7,5 x 2	380
H1-20	6.231.638.001	S	Outlet bracket	
H1-21	6.229.760.001	S	Nipple	
H1-22	6.331.230.001	S	Outlet Brewer	
H1-23	6.229.108.001	S	Outlet	

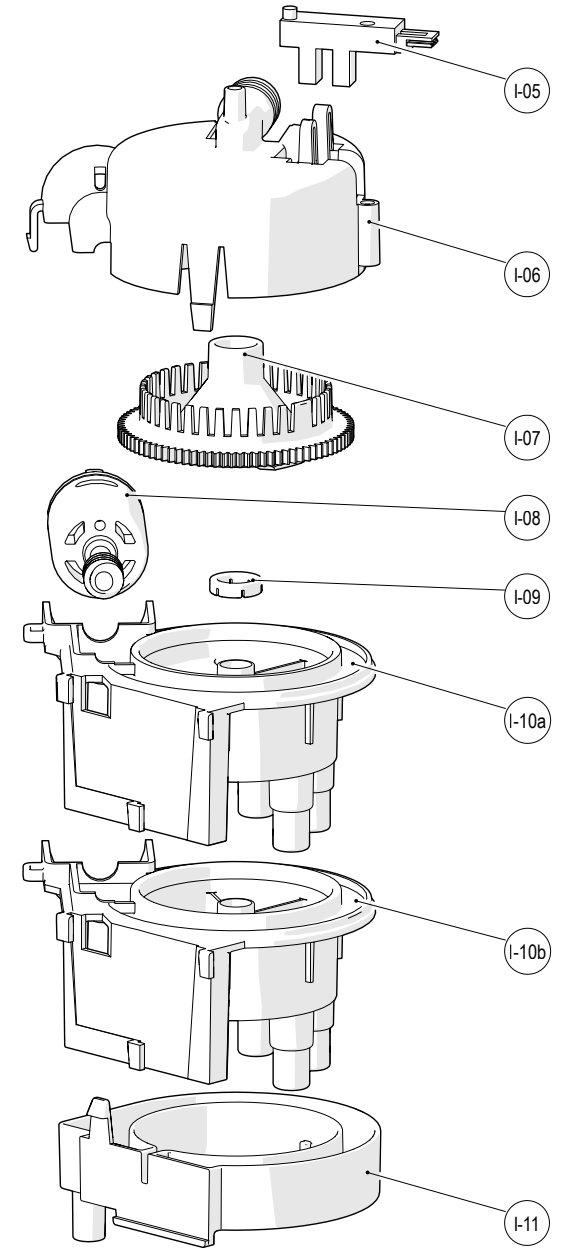
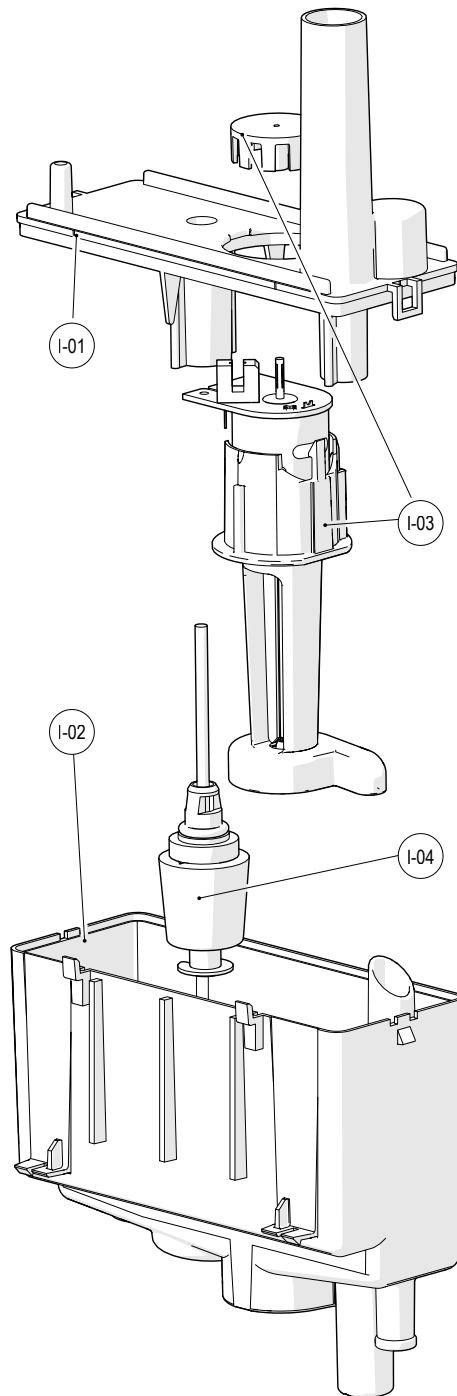


FreshMore XL / FreshGround XL

ID	Service part	S-RS	Description	mm
H2-01	6.000.205.111	S	Connection tube (Std)	
H2-02	6.016.001.070	RS	Magnetic valve 2l/min 24V	
H2-03	6.001.079.003	S	Tube clamp 15.6 mm	
H2-04	6.019.033.014	S	Silicone tube 9.5 x 3.0	630
H2-05	6.019.033.013	S	Silicone tube 17,5 x 11,5	510
H2-06	6.001.079.001	S	Tube clamp 12.1 mm	
H2-07	6.263.081.001	S	Tube boiler drain	
H2-08	6.006.002.018	S	Tightening plug 10.5 mm	
H2-09	6.231.457.000	S	Tube	
H2-10	6.019.033.009	S	Silicone tube 7 x 4	400
H2-11	6.402.010.001	S	Descaling plug	
H2-12	6.016.001.125	RS	Magnetic valve 24V DC	
H2-13	6.019.033.009	S	Silicone tube 7 x 4	260
H2-14	6.231.660.001	S	Tube	
H2-15	6.231.672.001	S	Tube section	
H2-16	6.019.033.004	S	Silicone tube 7,5 x 2	380
H2-17	6.019.033.004	S	Silicone tube 7,5 x 2	750
H2-18	6.019.033.004	S	Silicone tube 7,5 x 2	340
H2-19	6.019.033.004	S	Silicone tube 7,5 x 2	350
H2-20	6.019.033.004	S	Silicone tube 7,5 x 2	360
H2-21	6.019.033.004	S	Silicone tube 7,5 x 2	425
H2-22	6.019.033.004	S	Silicone tube 7,5 x 2	480
H2-23	6.231.638.001	S	Outlet bracket	
H2-24	6.229.760.001	S	Nipple	
H2-25	6.331.230.001	S	Outlet Brewer	



ID	Service part	S-RS	Description
I-01	6.229.334.001	S	Lid pumpfloat tank
I-02	6.229.335.001	S	Pumpfloat tank
I-03	6.000.229.198	RS	Motor float tank (assy)
I-04	6.229.891.001	S	Float float tank
I-05	6.004.026.001	RS	Light sensor
I-06	6.231.121.001	S	Lid water selector
I-07	6.231.120.001	RS	Water rotation disk
I-08	6.000.231.022	RS	Motor water selector (assy)
I-09	6.229.761.001	S	Water sealing ring
I-10a	6.231.131.001	S	Outlets (3) water selector
I-10b	6.231.130.001	S	Outlets (4) water selector
I-11	6.231.259.001	S	Drip-tray water selector



FreshGround

FreshMore

FreshGround XL

FreshMore XL

ID	Service parts	S-RS	Description
J-01	6.016.008.064	S	High temperature safety switch
J-02	6.016.008.063	S	Spring high temp safety (4PC)
J-03	6.265.146.000	RS	Temperature sensor
J-04	6.000.229.025	RS	Flow boiler 230V/2150W
J-05	6.231.191.001	S	Ring
J-06	6.231.132.001	S	Supply boiler

